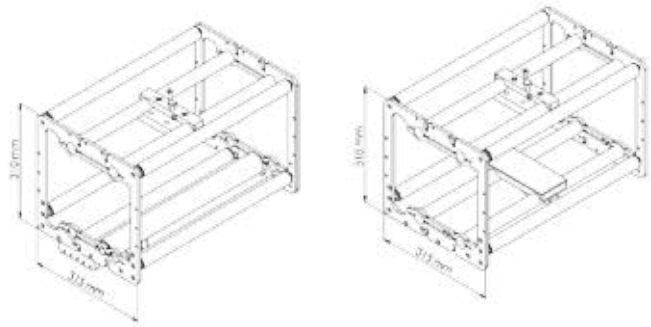
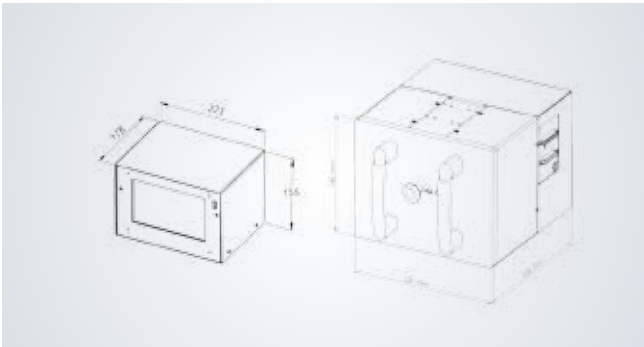


THERMAL TRANSFER OVERPRINTERS

SVM 53-70 I

SVM 53-125 I

SVM 53 C



Specifications	SVM 53 C	SVM 53-70 I	SVM 53-125 I
Print Area	53mm x 125mm	53mm x 70mm	53mm x 125mm
Print Speed	Max. 800mm/sec.	Max. 450mm/sec.	Max. 400mm/sec.
Production	500 prints/sec.	350 prints/sec.	300 prints/sec.
Resolution	12 dots/mm (300dpi) horizontally and vertically		
Ribbon Length	600 meters (656 yds.) loaded ribbon		
Ribbon Widths	22 mm, 35 mm and 55 mm (0,9" -1,4"-2,2")		
Memory	5000 text memory, 512 Mb. Ram, 1 Gb Storage (Onboard), Up to 8 Gb SD Memory Support, Up to 16 Gb USB Memory Support		
Power Supply	110/220V 50/60 Hz		
Air Supply (Bar)	min. 1 bar - max. 4 bar		
Weight (Printer)	9,4 Kg.		
Dimensions	180mm H x 220mm W x 233mm D		180mm H x 250mm W x 265mm D
Operating Temperature	5° -50° (41-104 °F)		
Control Panel	7" Touch Screen Panel		
Outputs	Machine on error (failsafe) - image ready, power on, print per minute etc		
Pc Programmes	SAYASIS Label Program		
Communications	RS-232 (PC), LAN, USB, Multi-language (14) support standard		
Barcodes	1 D Barcodes (EAN-13,EAN-8,CODE 128, CODE 39, ITF -2of 5,ITF 14, CODABAR UPC-A,UPC-E) 2 D Barcodes (Datamatrix, QR Codes. PDF 41 7, Aztec code.Semacode, Macro PDF 417) ITF14, RSS (GS-1 DATABAR COMPOSITE)		