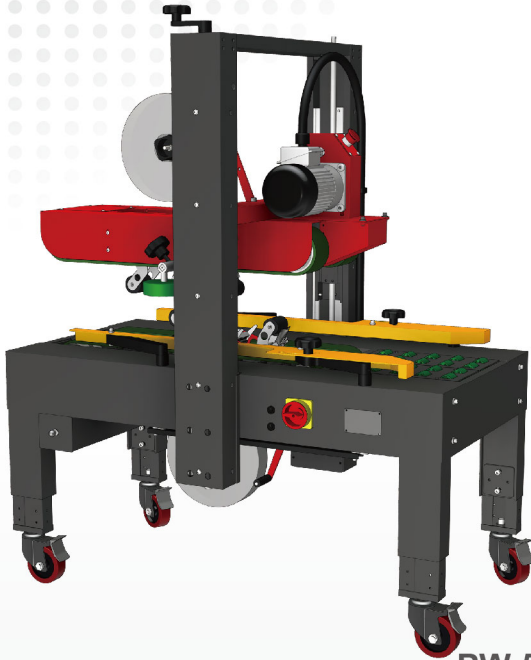


Manual Adjustment Models



PW-551TB

PW-551TB Carton Sealer For Uniform Size Cartons

TB: Top and Bottom Belt Drive

Tape Width	2" or 3"
Belt Speed	20M/min. (approx. 30 cartons/min.)
Sealing Size	(2") L150~∞ x W200~500 x H120~500 mm (3") W +25 mm
Power Supply	1Ø, 110/220/230/240V (50/60Hz); 3Ø made on request
Machine Size	L 1200 x W 779 x H 1420~1765 mm
Operation	Table with small rollers, side guide rails adjust separately

Options

- 60 Sec. auto Stop
- Extension Roller Tables
- In Stainless Steel Structure #304
- P.C.B. control



PW-552TB

PW-552TB Carton Sealer For Uniform Size Cartons

TB: Top and Bottom Belt Drive

Tape Width	2" or 3"
Belt Speed	20M/min. (approx. 30 cartons/min.)
Sealing Size	(2") L150~∞ x W200~500 x H120~500 mm (3") W +25 mm
Power Supply	1Ø, 110/220/230/240V (50/60Hz); 3Ø made on request
Machine Size	L 1044 x W 779 x H 1569~1764 mm
Operation	Table with full belt cover, side guide rails adjust simultaneously

Options

- 60 Sec. auto Stop
- Extension Roller Tables
- In Stainless Steel Structure #304
- P.C.B. control