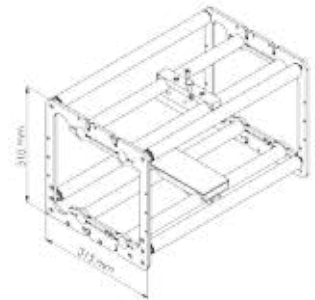
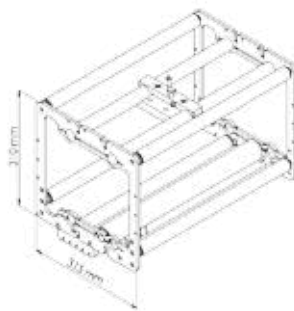
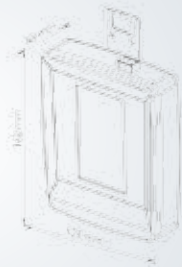
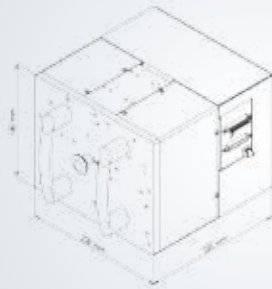


# THERMAL TRANSFER OVERPRINTERS SVM 32-70 I SVM 32 C



Specifications	SVM 32 C	SVM 32-70 I
Print Area	32mm x 125mm	32mm x 70mm
Print Speed	Max. 600mm/sn.	Max. 400mm/sn.
Production	100 prints/min. ( in one line)	
Resolution	12 dots/mm (300dpi) horizontally and vertically	
Ribbon Length	600 meters (656 yds.) loaded ribbon	
Ribbon Widths	22 mm, 35 mm (0,9" -1,4")	
Memory	5000 text memory, 512 Mb. Ram, 1 Gb Storage (Onboard), Up to 8 Gb SD Memory Support, Up to 16 Gb USB Memory Support	
Power Supply	110/220V 50/60 Hz	
Air Supply (Bar)	min. 1 bar - max. 4 bar	
Weight (Printer)	9,4 Kg.	
Dimensions	180mm H x 220mm W x 222mm D	
Operating Temperature	5° -50° (41-104 °F)	
Control Panel	4,3" Touch Screen Panel	
Outputs	Machine on error (failsafe) - image ready, power on, print per minute etc	
Pc Programmes	SAYASIS Label Program	
Communications	RS-232 (PC), LAN, USB, Multi-language (14) support standard	
Barcodes	1 D Barcodes (EAN-13,EAN-8,CODE 128, CODE 39, ITF -2of 5,ITF 14, CODABAR UPC-A,UPC-E) 2 D Barcodes (Datamatrix, QR Codes. PDF 41 7, Aztec code.Semacode, Macro PDF 417) ITF14, RSS (GS-1 DATABAR COMPOSITE)	